

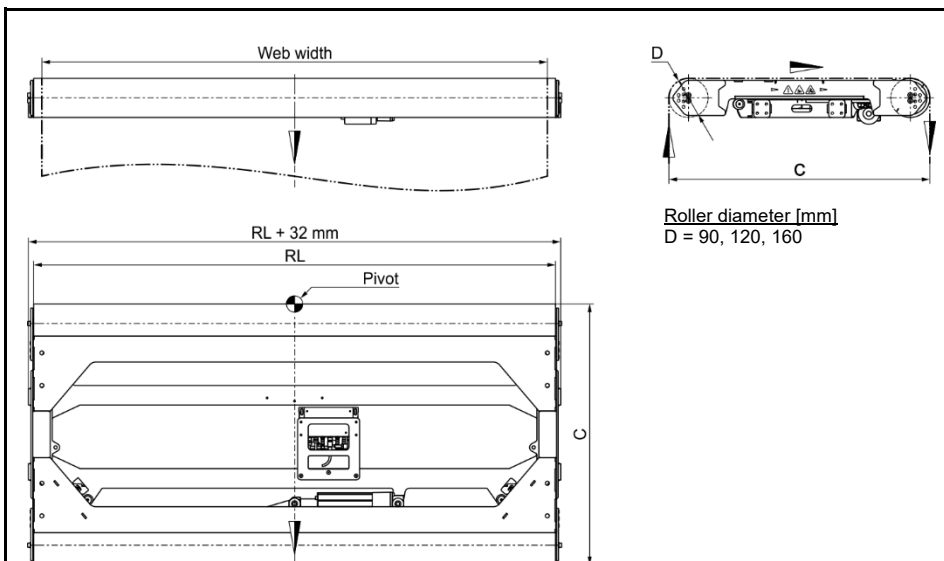
Picture FrameGuide with optional motorized sensor positioning



Characteristics

- Modular, highly compact rotating frame guide including sensor technology and actuator
- Innovative design for lowest overall height and flexible installation, enables easy installation even if space is restricted
- Convenient installation, wiring and commissioning
- Powerful electric motor driven actuator with ball screw and integrated position feedback for maximum service life and optimum guiding results
- Precise and almost instantaneous correction of the web position
- Guiding rollers with precision bearings for extremely smooth running and low breakaway torque
- Various sizes allowing optimum adaptation to the individual application

Dimensional Drawing FrameGuide



		Roller Length RL [mm]									
		900/950	1000/1050	1100/1150	1200/1250	1300/1350	1400/1450	1500/1550	1600/1650	1700/1750	1800/1850
Correction Span C [mm]	800	X	X	X	X	X	X	X	X		
	900	X	X	X	X	X	X	X	X		
	1000	X	X	X	X	X	X	X	X	X	X
	1100		X	X	X	X	X	X	X	X	X
	1200		X	X	X	X	X	X	X	X	X
	1300				X	X	X	X	X	X	X
1400					X	X	X	X	X	X	

Special sizes on request

Intended Use

The FrameGuide is a microprocessor-controlled web guiding system including sensor technology and actuator. The web guiding system can be used for web edge guiding (left or right web edge), web center-line guiding as well as line, contrast or object guiding. The web guiding system FrameGuide is intended for the installation in another machine or for the merge with other machines to a machine in accordance with Council Directive 2006/42/EC (Machinery Directive).

Options

- Web edge and web center-line guiding (with two edge sensors)
- Line, contrast, object guiding
- Manual fine adjustment for one or two edge sensors
- Motorized sensor positioning incl. web width measurement with fixed or variable web center-line
- Various roller coatings available on request

Mounting Positions

All mounting positions are suitable.

Compatibility

The FrameGuide web guiding system can be operated with the following BST web guiding controllers:

- ekr 500 digital Unit Touch
- ekr CON 100
- ekr CON 600, ekr CON 600 net

Technical Data

Mechanical Data

Positioning Speed	max. 20 mm/s
Web Speed	max. 1.000 m/min
Web Tension	max. 1.000 N
Web Position Error	max. ± 50 mm

Electrical Data

Supply Voltage	24 V DC ± 10 %
Power Consumption	max. 5 A

Operating Conditions

Ambient Temperature	0 ... +50 °C
Air Humidity	5 ... 90 % (no condensation)

Conformities

